



START HERE!

READ ME FIRST

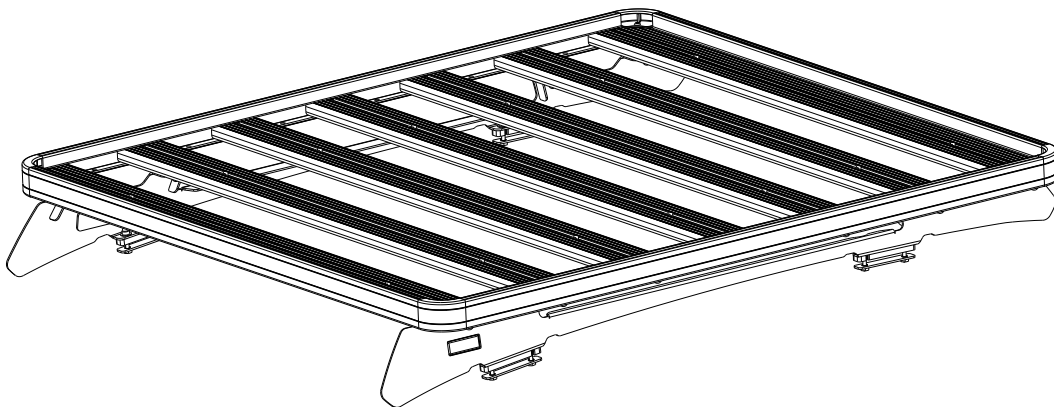
Don't be a hero and muscle through this installation without reading these fitting instructions first! Improper installation of this gear may void certain aspects of your warranty.

Before you begin, take a moment and open all your Front Runner rack kit boxes and gather the assembly instructions for the various components.

A complete kit will contain:

1. A Front Runner Mounting System specific to your vehicle
2. A Front Runner Rack Tray or Load Bar Slats

This document will guide you through the assembly of the mounting system and assist you in fitting the roof rack tray or load bars to your specific vehicle. Please refer to the next page for a list of all the components, quantities and tools required.



IMPORTANT WARNING!

IT IS CRITICAL THAT ALL FRONT RUNNER PRODUCTS BE PROPERLY AND SECURELY ASSEMBLED AND ATTACHED TO YOUR VEHICLE. IMPROPER ATTACHMENT COULD RESULT IN AN AUTOMOBILE ACCIDENT, AND COULD CAUSE SERIOUS BODILY INJURY OR DEATH. YOU ARE RESPONSIBLE FOR ASSEMBLING AND SECURING ALL FRONT RUNNER PRODUCTS TO YOUR VEHICLE, CHECKING THE ATTACHMENTS PRIOR TO USE, AND PERIODICALLY INSPECTING THE PRODUCTS FOR ADJUSTMENT, WEAR AND DAMAGE. THEREFORE, YOU MUST READ AND UNDERSTAND ALL OF THE INSTRUCTIONS AND PRECAUTIONS SUPPLIED WITH YOUR FRONT RUNNER PRODUCT PRIOR TO INSTALLATION OR USE. IF YOU DO NOT UNDERSTAND ALL OF THE INSTRUCTIONS AND CAUTIONS, OR IF YOU HAVE NO MECHANICAL EXPERIENCE AND ARE NOT THOROUGHLY FAMILIAR WITH THE INSTALLATION PROCEDURES, YOU SHOULD HAVE THE PRODUCT INSTALLED BY A PROFESSIONAL INSTALLER OR OTHER QUALIFIED PERSONNEL.

NOTE: Front Runner will not be responsible for any damage caused by the failure to install the product according to these instructions.

Please call us if you have any questions about the installation of this product.

1

GET ORGANIZED

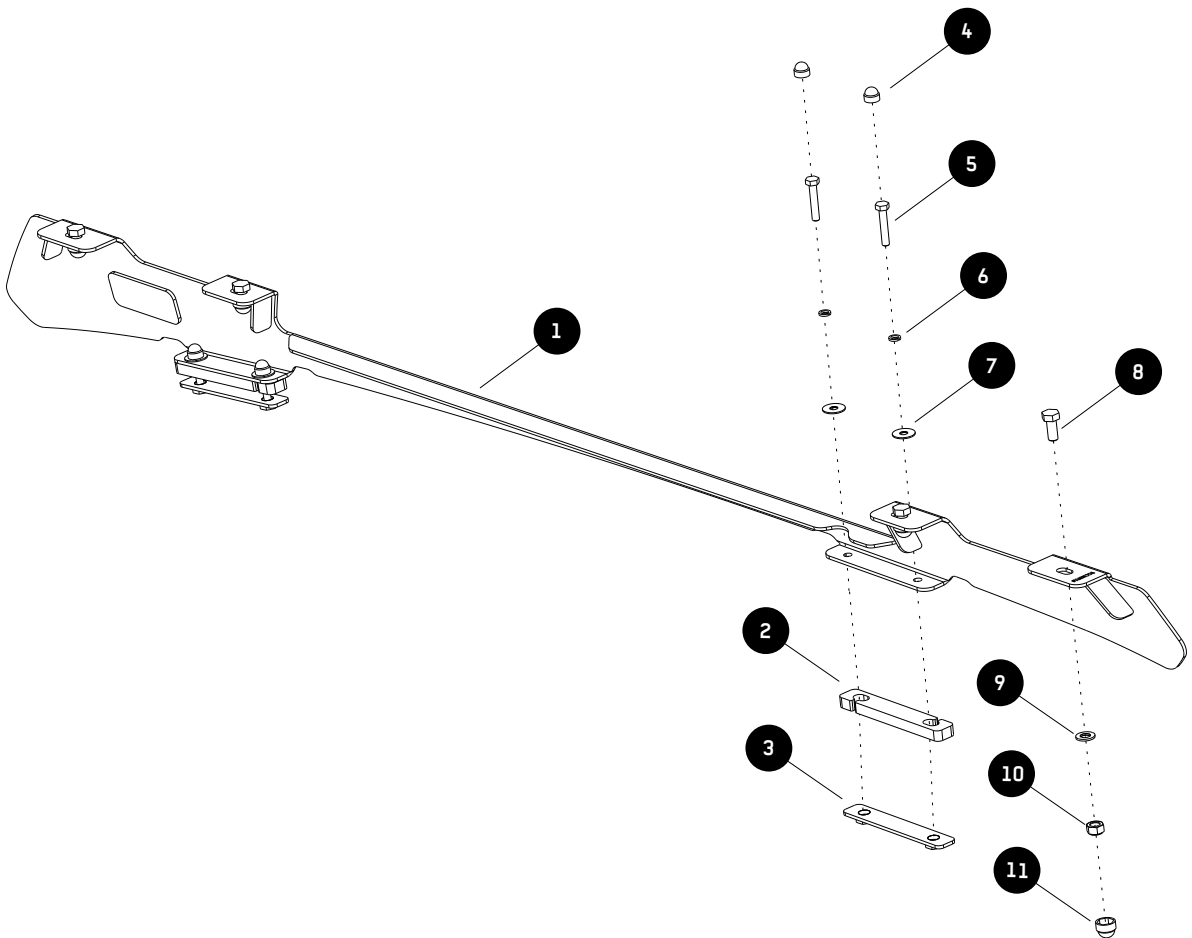
IN THE BOX

1	2 X	Foot Rail - 1LH + 1RH
2	4 X	Spacer
3	4 X	Nut Plate
4	8 X	M6 Nut Cap
5	8 X	M6 x 35 Hex Bolt
6	8 X	M6 Spring Washer
7	8 X	M6 x 19 x 1SS Flat Washer
8	8 X	M8 x 20 Hex Bolt
9	8 X	M8 x 16 x 1.6SS Flat Washer
10	8 X	M8 Nyloc Nut
11	8 X	M8 Nut Cap

TOOLS NEEDED



FIGURE 1.1



2

FIT AND SECURE

2.1



⚠ Before starting the fitment you need to remove the interior head liner.

🔄 Measuring from the front of the roof using the top edge of the windscreen as reference, mark the points in Step 2.2.

2.2



🔄 In the middle of the ditch make marks at 280mm and 365mm for the front fixing points and at 1088mm and 1173mm for the rear.

⚠ Drill 6.5mm holes on the marks you made.
⚠ Take care when drilling to ensure that you do not damage the air bags or wiring harness on the underside of the roof.

2.3



🔄 Before securing the Nut Plates on the inside, loosen the bracket holding the airbag canister in place. Do not completely remove the bolts. This will give you extra room to slide the Nut Plate in place.

2

FIT AND SECURE

2.4

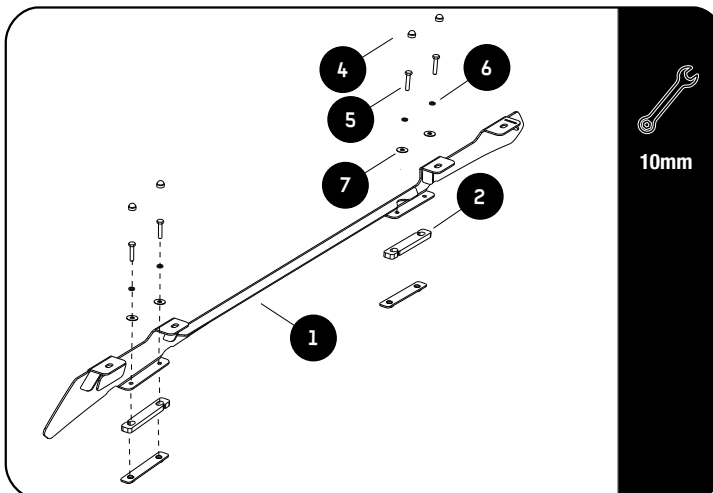


Place some silicone on each of the four Nut Plates (Item 3) before you secure them to the roof. This will seal the holes drilled earlier and fix the Nut Plate in place.

Do not place them against the roof just yet.

See Step 2.5 for fasteners used.

2.5



Place a Spacer (Item 2) over each set of holes you have drilled in Step 2.2.

Place the Foot Rail (Item 1) on the Spacers and hold it in place. Having a friend will help.

Insert the M6 x 35 Hex Bolt with M6 Spring Washer and M6 x 19 x 1SS Flat Washer (Items 5, 6 & 7) through the Foot Rail mounting hole and the Spacer.

Place the Nut Plate with the silicone applied to the underside of the roof. Loosely tighten the bolt and insert the second screw. Do not fully tighten until the rear bolts and Nut Plate are in place. Fully tighten when all four bolts and both nut plate are in place.

Repeat the step with the other side.

3

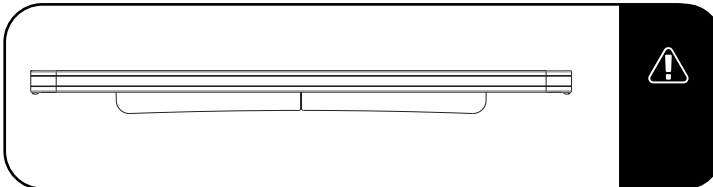
FIT AND SECURE

3.1

Refer to RRSUNI when assembling your Slimline II Tray.

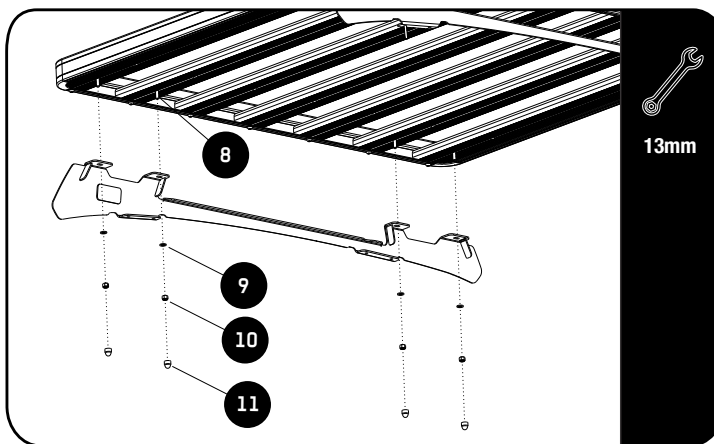


3.2



Make sure that the wind deflector is installed before you proceed to the next step.

3.3



Fit your roof rack to the Foot Rails using M8 x 20 Hex Bolts, M8 x 16 x 1.6SS Flat Washers and M8 Nyloc Nuts (Items 8, 9 & 10).

3.4

Center the rack and tighten fully. Use M8 nut caps (Items 11) to finish off the nuts.



4 COMPLETION

4.1



Congratulations! You did it. Take a step back and admire your work!

4 INSTALL OTHER VEHICLE AND RACK ACCESSORIES

Now's the time to visit your favorite Front Runner Dealer in person or online.

IMPORTANT!

FRONT RUNNER RACK KITS OFTEN HAVE A HIGHER LOAD RATING THAN THE VEHICLES THEY ARE MOUNTED TO. PLEASE REFER TO YOUR SPECIFIC VEHICLE MANUFACTURER FOR A RECOMMENDED ROOF RATING. FRONT RUNNER CANNOT BE RESPONSIBLE FOR IMPROPER LOADING BEYOND THE VEHICLE MANUFACTURER'S STATED LOAD CAPACITY.

Be sure to tag us. We love to see our gear in action! #FrontRunnerOutfitters #BornToRoam

Share your adventures on: 